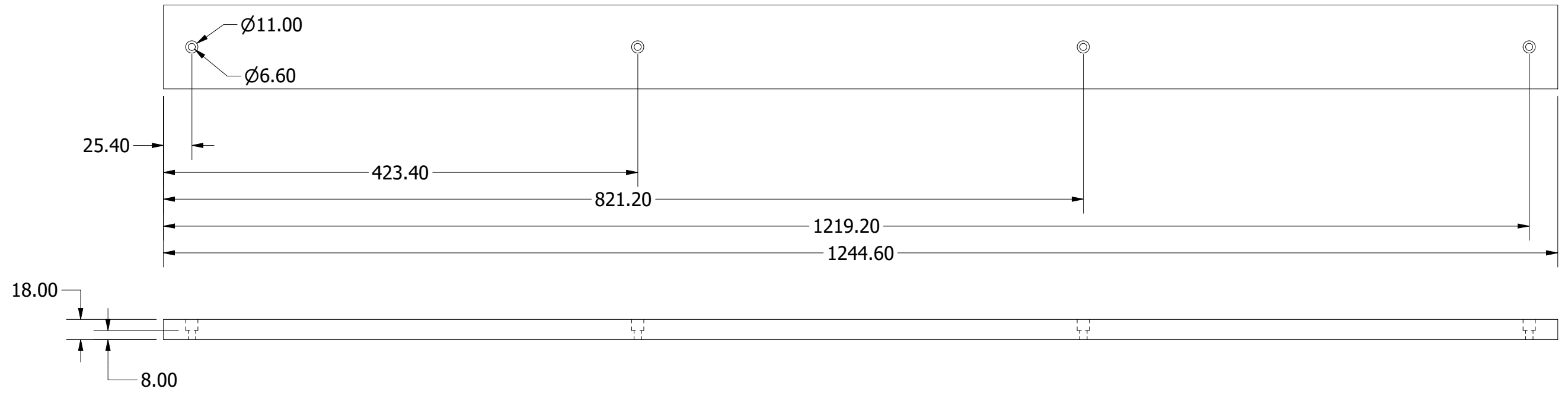
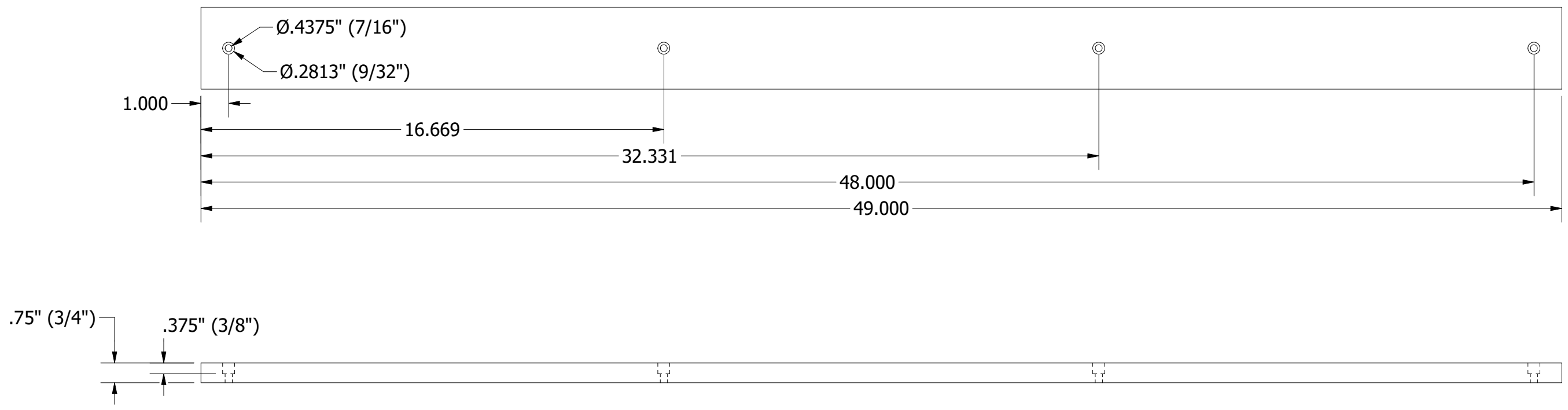


# S5 4x4 - MDF Filler

metric (mm)

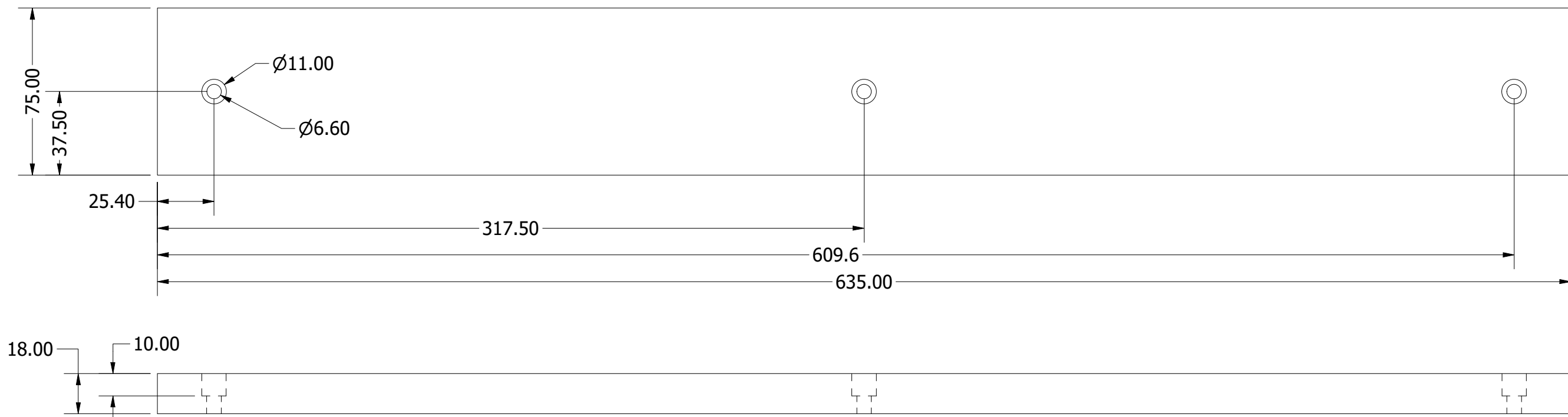


imperial (Inch - rounded to nearest larger fraction where applicable)



# S5 4x2 / 2x2 - MDF Filler

metric (mm)



imperial (Inch - rounded to nearest larger fraction where applicable)

