

Sweepy HD Instructions

Thank you for purchasing the Sweepy HD dust boot for the HDM.

BitSetter

In some instances, the Bitsetter could be higher than your workpiece. It's important that you note where this is when starting a job and ensure that the Bitsetter does not get in the way of the dust boot.

When initializing a tool change it is imperative the lower clear boot or boot with the brush is removed and the boot top is in the highest position. Failure to remove the boot will result in the spindle hitting the boot.

Contents:

Threadlock

Hose support:

1 x X Hose Support

4 x M5 x 6mm button head screws

Dust Boot Top

1 x Dust boot top - Machined plate with 6 magnets fitted

1 x 80mm Vac Ring

1 x Lower hose support

7 x M4 x 6mm screws

Slider Assembly

2 x Slider Support

2 x 10mm Dust Boot Supports

2 x Dust Boot Support Stops

1 x Dust boot height adjuster screw

1 x Left Tension nut

1 x Right Tension nut

2 x M5 Screw x 14mm

2.5 hose (approx 230mm)

Dust boots & Accessories

1 x Dust boot with brush

1 x Dust boot without brush

2 x Dust boot thumb screws

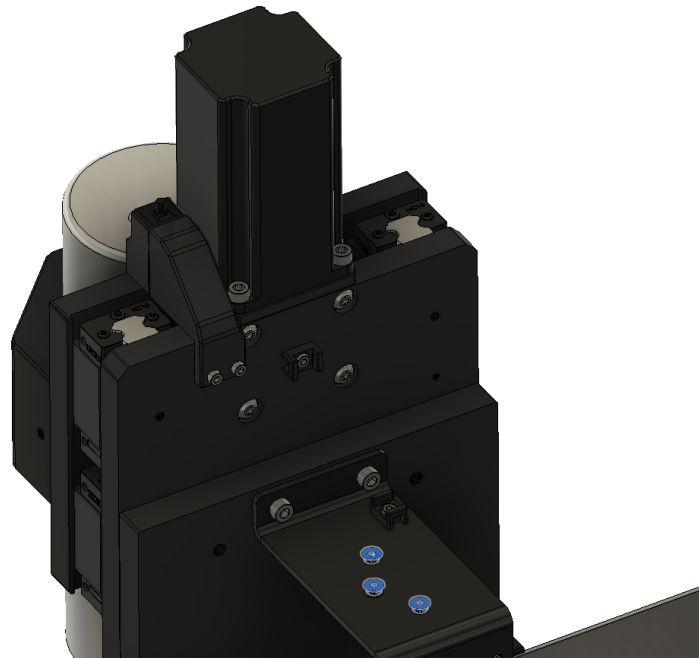
1 x 2.5" Hose Adapter

1 x 35/36mm Adapter

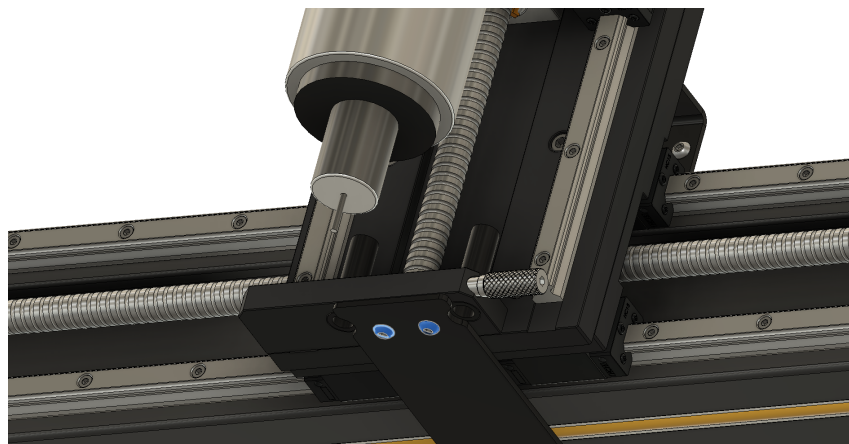
Fitting the hose support:

To begin assembly, turn on the HDM, initialize, then bring the X/Z to the front middle of the work area, this will make access much easier.

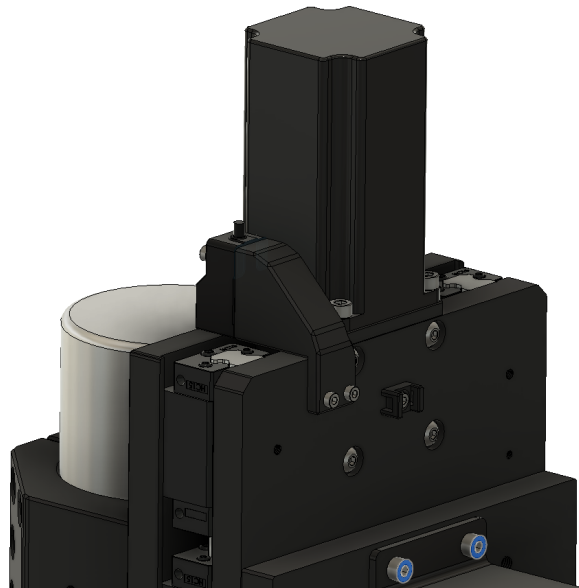
Remove the M4 screws holding the X Drag chain in place:



Remove the 2 x M5 lower drag chain bracket screws

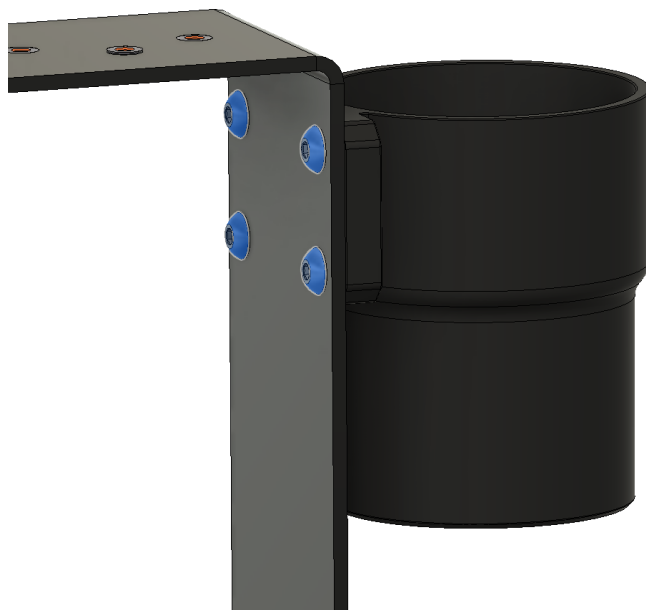


Remove the 2 rear drag chain support screws



Remove the X drag chain support from the machine.

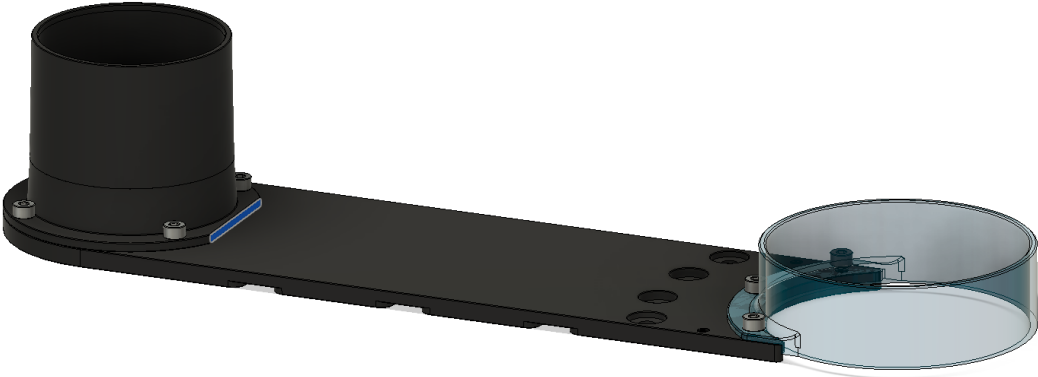
Fit the X hose support with 4 x M5 x 6mm screws provided. The narrow diameter facing down.



Re-fit the X drag chain support as per the above in reverse order.

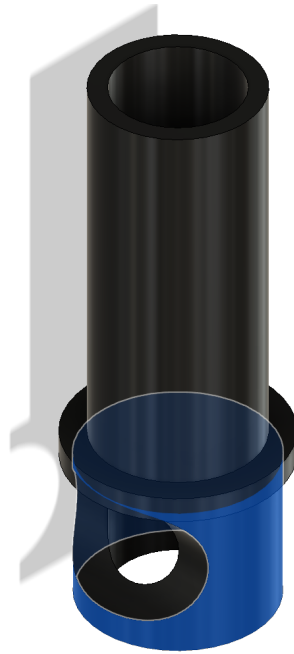
Dust boot top assembly

Fit the lower hose support and vac ring with the 7 x M4 x 6mm screws provided - note the lower hose support has a flat section. This should be facing towards the vac ring as shown.

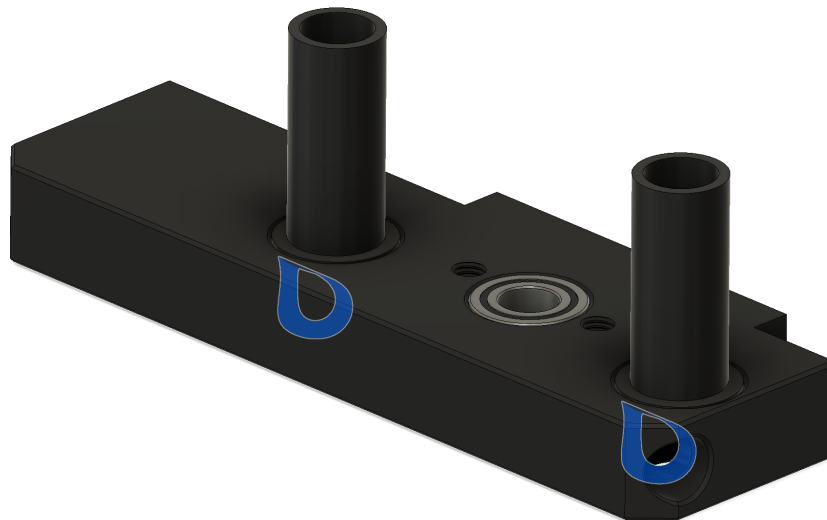


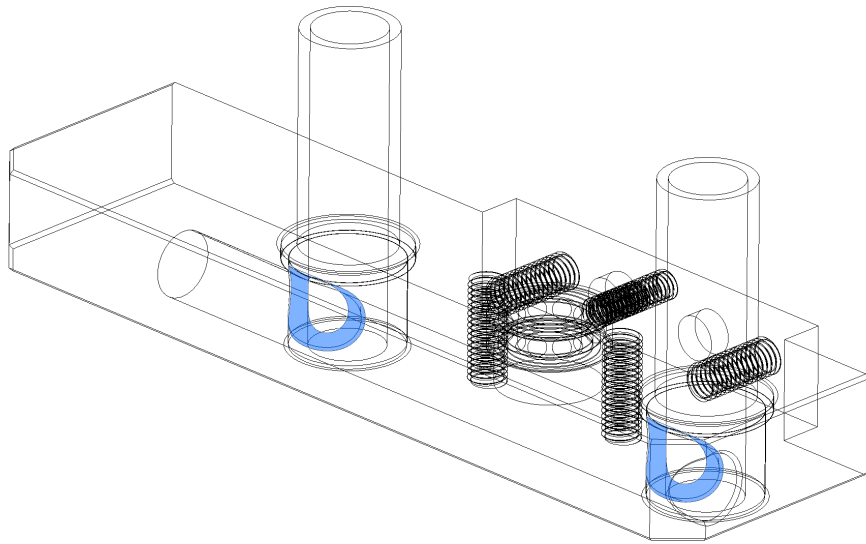
Slider Assembly

Apply a small amount of thread lock to the outer rear diameter of the slider supports



Insert both slider supports in the lower ball screw support (this can be done with the Z in place in the raised position - the below is for illustration purposes as alignment is important). The opening radii need to be positioned forward for successful installation.



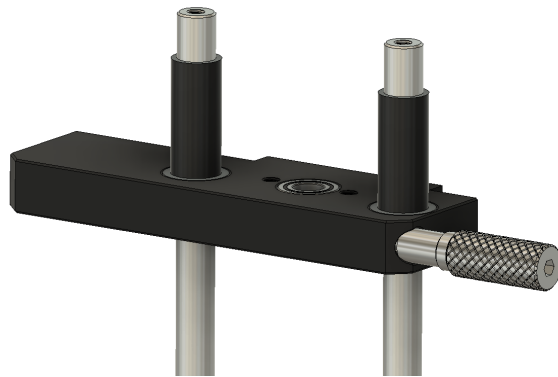
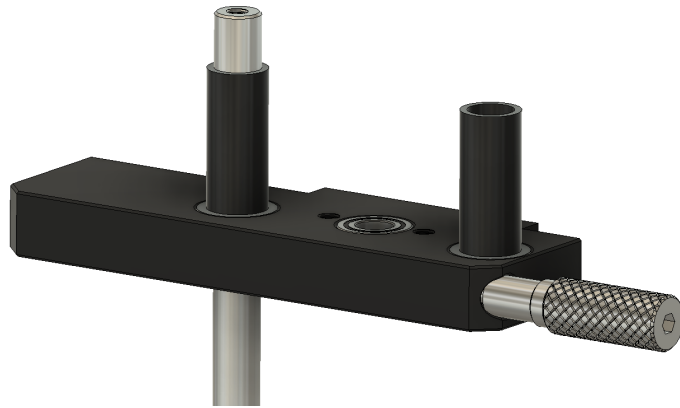


Slide the right tension nut onto the dust boot height adjuster then screw the left tension nut onto the shaft (only a couple of turns). Note the orientation of the radii on each nut.



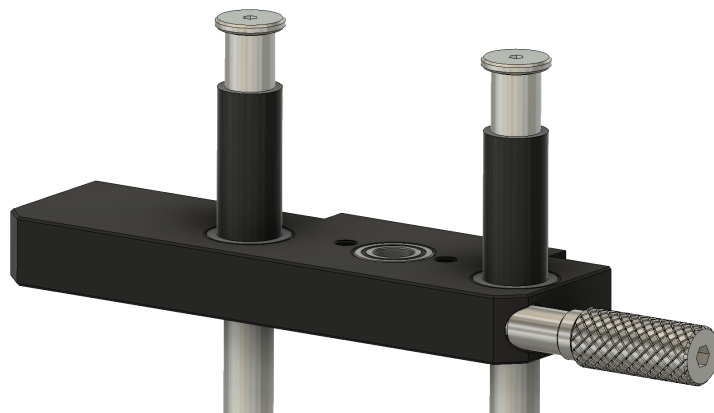
Slide the assembled dust boot height adjuster screw into the lower ball screw support from the right side. (Note if the slider supports are not facing forwards as in the previous step it will be difficult to slide this in. You might need to adjust the rotation of the slider support as you insert the dust boot height adjuster screw).

Insert the dust boot supports into the slider support (left then right). Again it's important to have the radii of the left and right tension nuts in the correct orientation to assemble the sliders).



Once inserted - tighten the dust boot height adjuster screw clockwise. Both supports should lock into position. If they do not, please repeat the steps above.

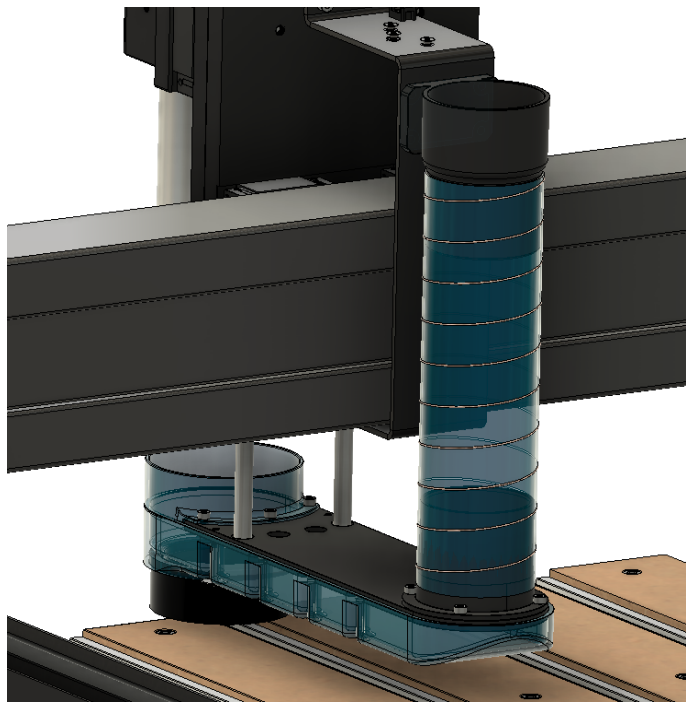
Screw in both support stops to the top of the supports.



Loosen the height adjuster and raise both stops - allowing approx 5mm of the supports to be exposed. Fit the Dust boot top to the supports and fasten with 2 x M5 screws provided.



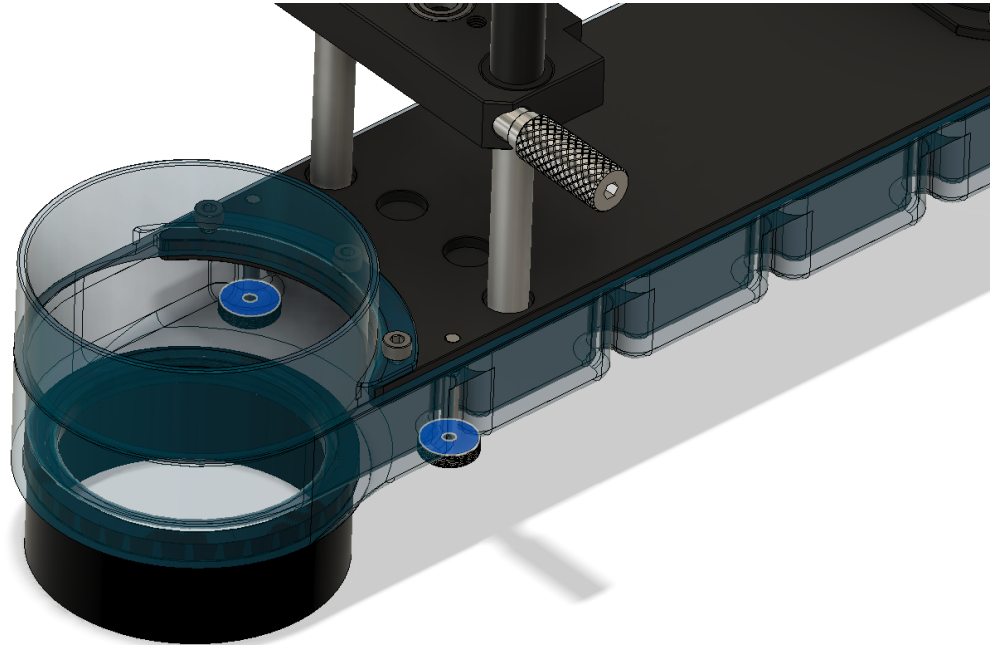
Fit the hose to the X hose support and lower hose support sliding it securely over each hose support.



Fitting the dust boot

Either the clear or brushed version of the dust boot will locate onto the dust boot with the magnets. It is important that you manually push the dust boot onto the dust boot plate to ensure it is clipped on properly. Do not just rely on locating magnets.

Once in position, you should lock in place with the 2 x dust boot thumb screws. These can be inserted from below and tightened with a 3mm allen key as required.



Adjusting the height

To get the best results when using the AAF dust boot we suggest you either align:

- The bristles approx 2mm lower than your workpiece
- The clear ring approx 2mm above your workpiece

To adjust the height you need to loosen the Dust Boot height adjuster screw (CCW) slide up/down then tighten by turning the adjuster screw clockwise.

Adapters

Two hose adapters are with each AAF Boot kit. These fit to the X hose support.