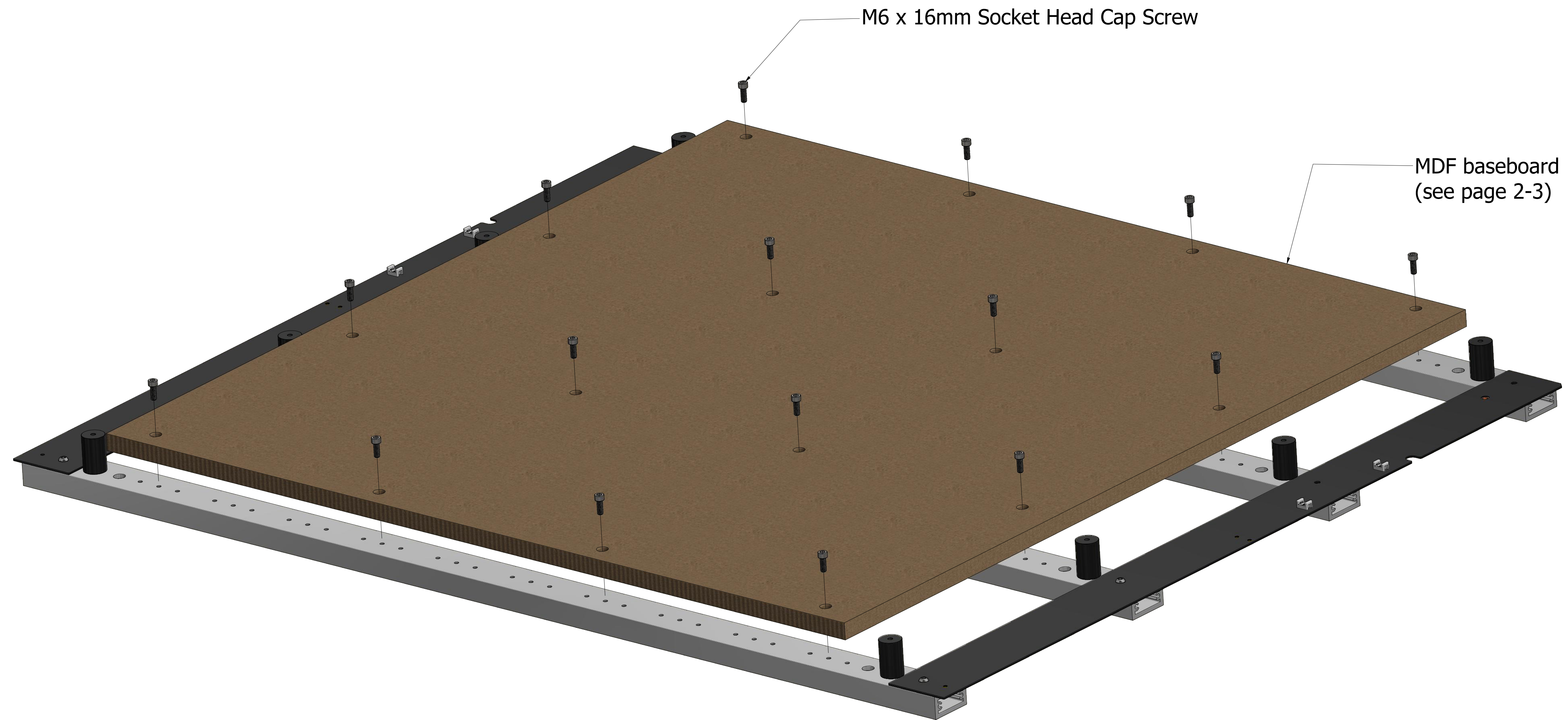



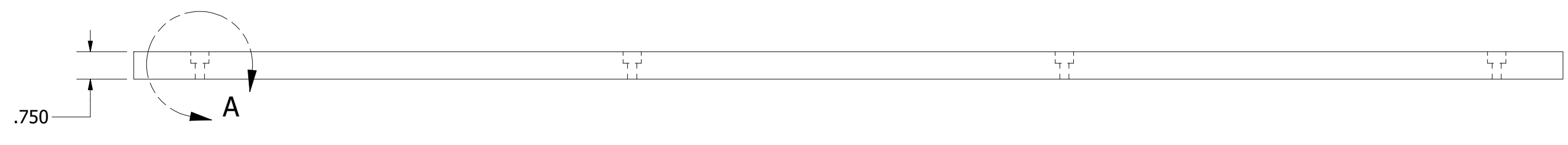
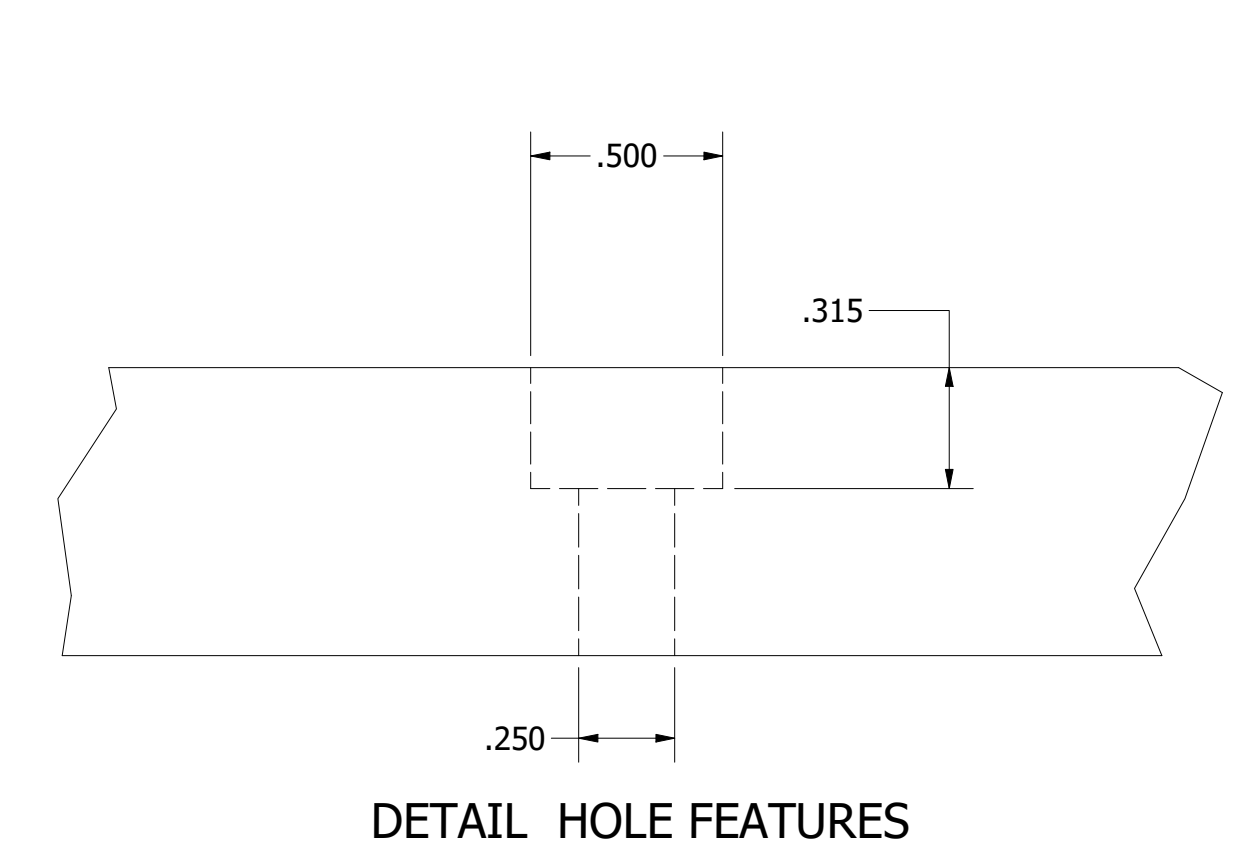
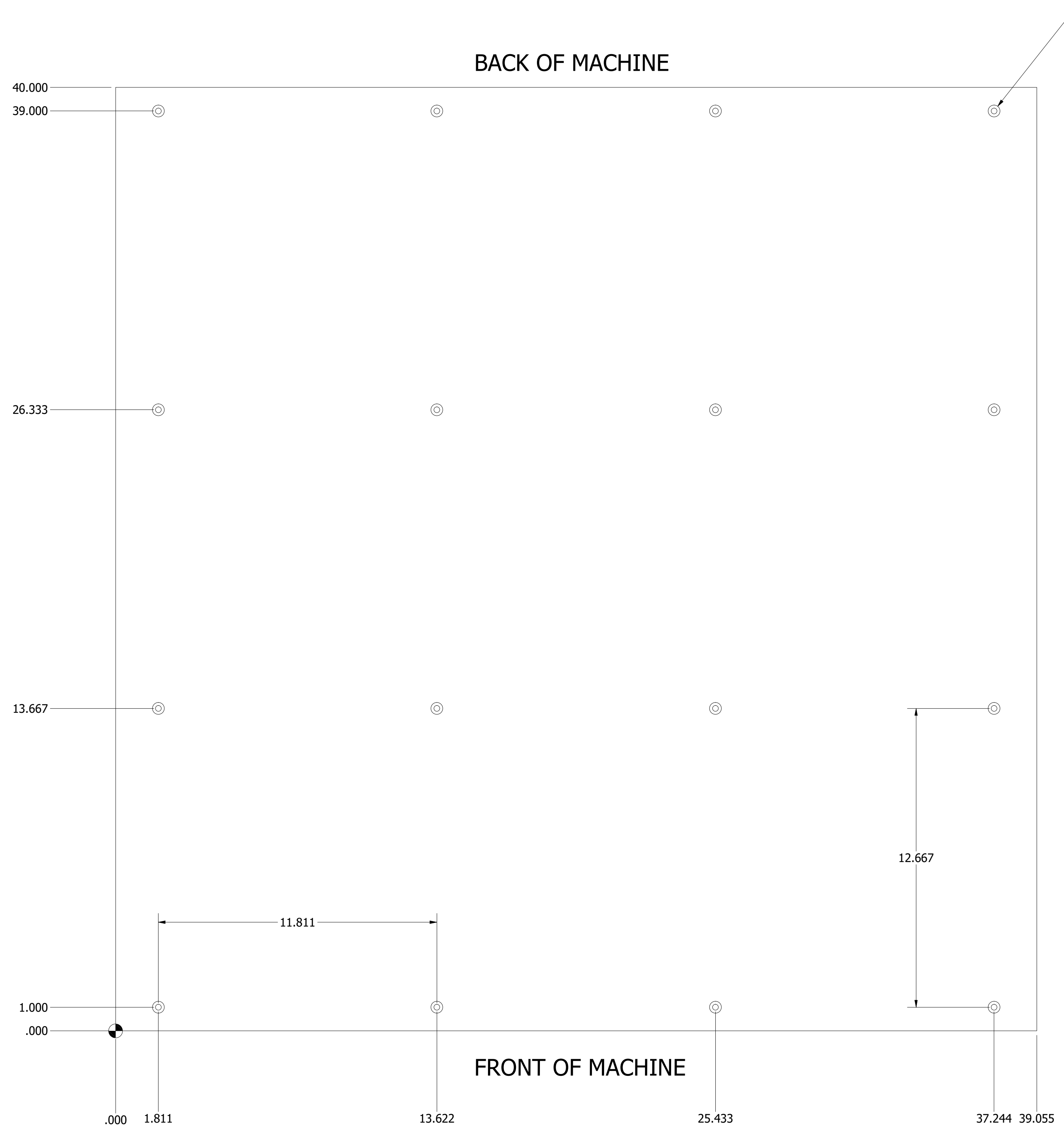
Shapeoko 4 XXL



DESIGNED	edward	5/13/2020	
DRAWN	edward	6/9/2021	
TITLE			
SIZE	DWG NO		REV
D	S4 XL MDF LAYOUT		
SCALE	.4	<small>COPYRIGHT ALL RIGHTS RESERVED</small>	SHEET 1 OF 6

Notes:

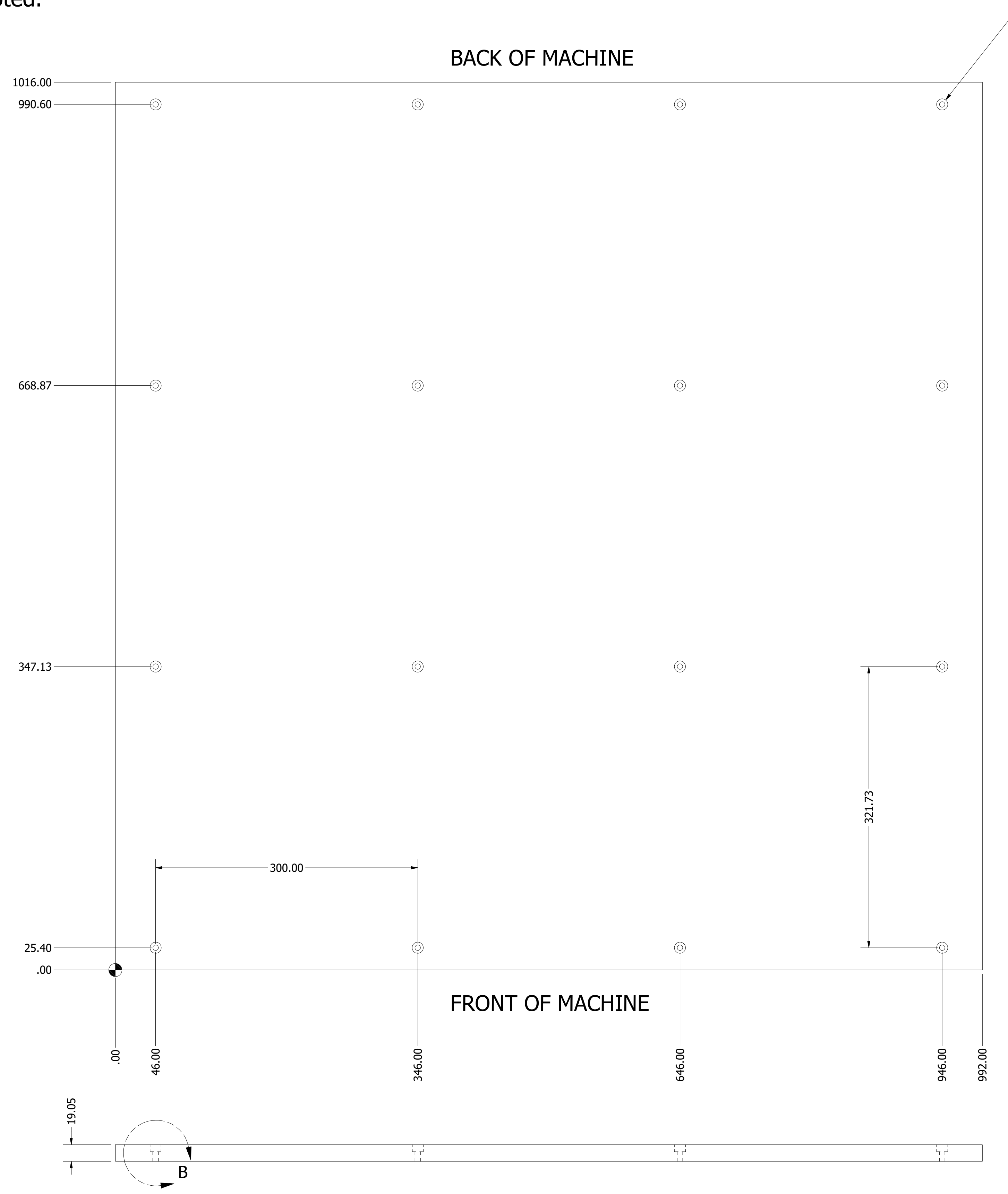
1. All dimensions are inch unless otherwise noted.
2. 3/4" material thickness recommended.



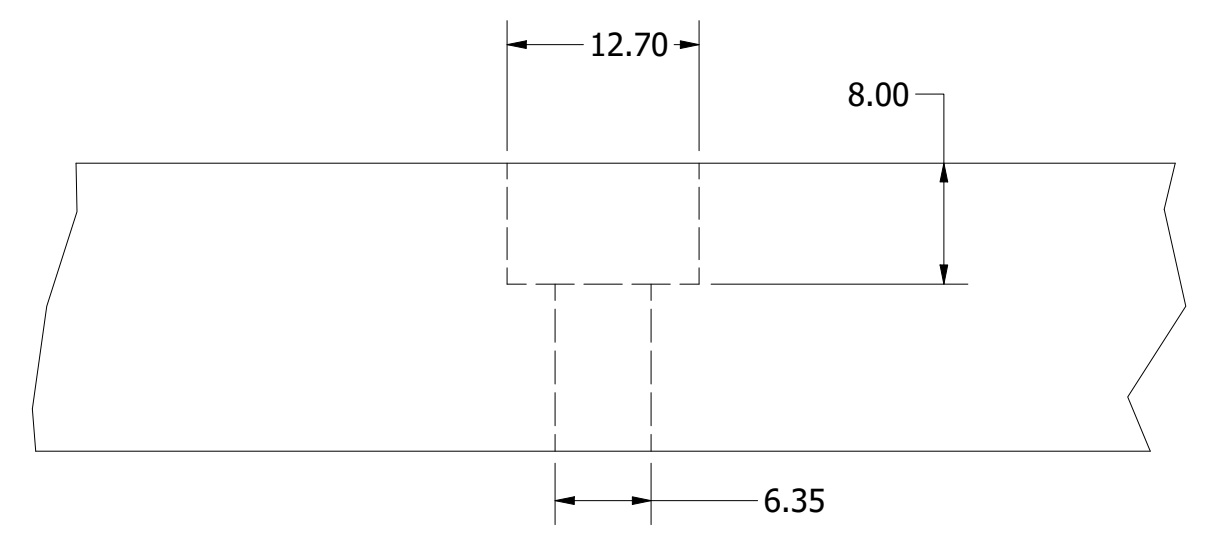
DESIGNED	edward	6/9/2021	
DRAWN	edward	6/9/2021	
TITLE			
SIZE	DWG NO		REV
D	S4 XL MDF LAYOUT		
SCALE	1 / 3	COPYRIGHT ALL RIGHTS RESERVED	SHEET 2 OF 6

Notes:

1. All dimensions are millimeter unless otherwise noted.
2. 19mm material thickness recommended.

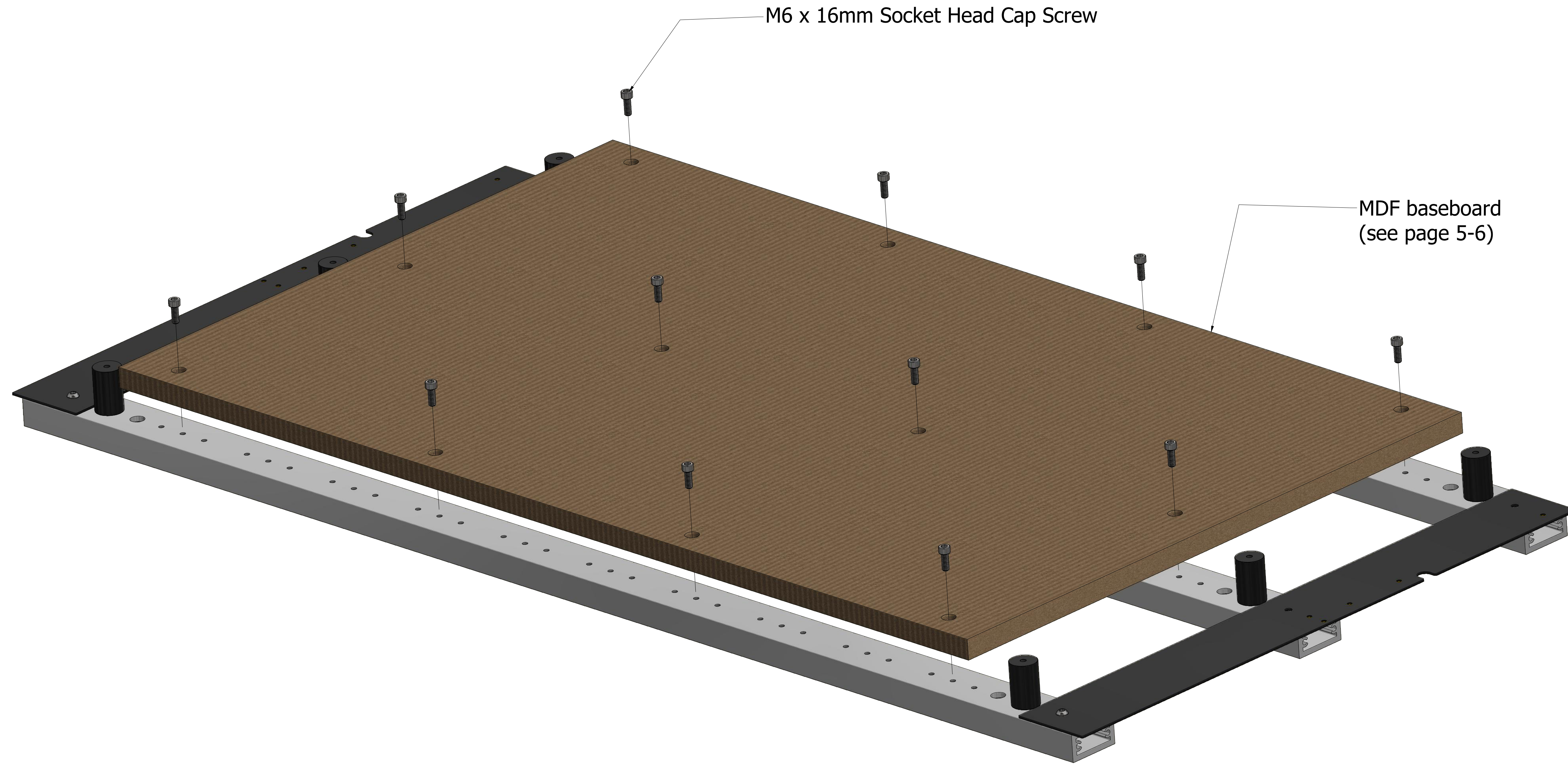



Ø6.35 THRU
 L 12.70 ± 8.00
 (typ. all)



DESIGNED	edward	6/9/2021	
DRAWN	edward	6/9/2021	
TITLE			
SIZE	DWG NO		REV
D	S4 XL MDF LAYOUT		
SCALE	1 / 3	COPYRIGHT ALL RIGHTS RESERVED	SHEET 3 OF 6

Shapeoko 4 XL

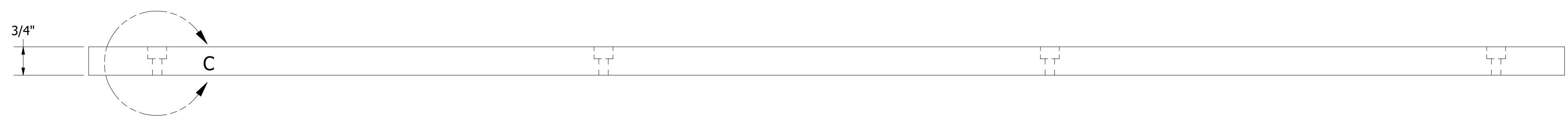
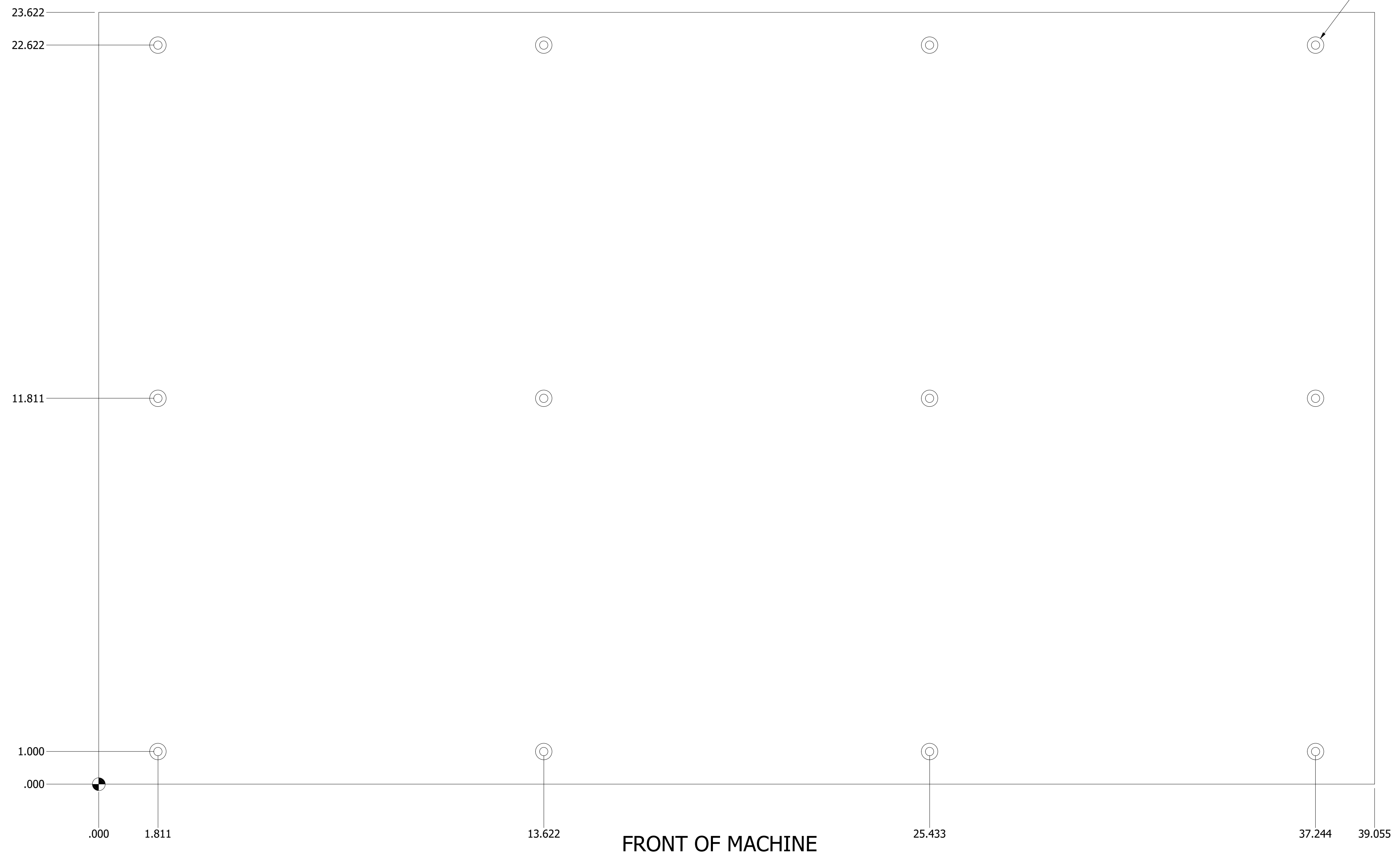
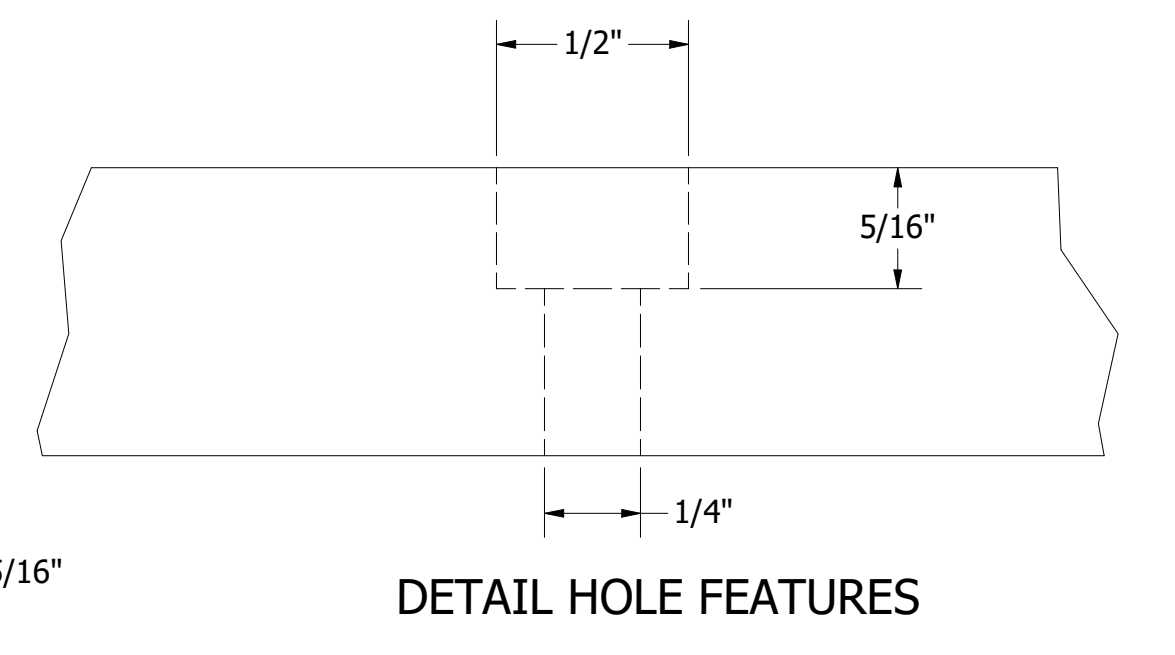


DESIGNED	edward	6/15/2021	
DRAWN	edward	6/9/2021	
TITLE			
S4 XL MDF LAYOUT			
SIZE	DWG NO		REV
D	S4 XL MDF LAYOUT		
SCALE	.5	COPYRIGHT ALL RIGHTS RESERVED	SHEET 4 OF 6

Notes:

1. All dimensions are inch unless otherwise noted.
2. 3/4" material thickness recommended.

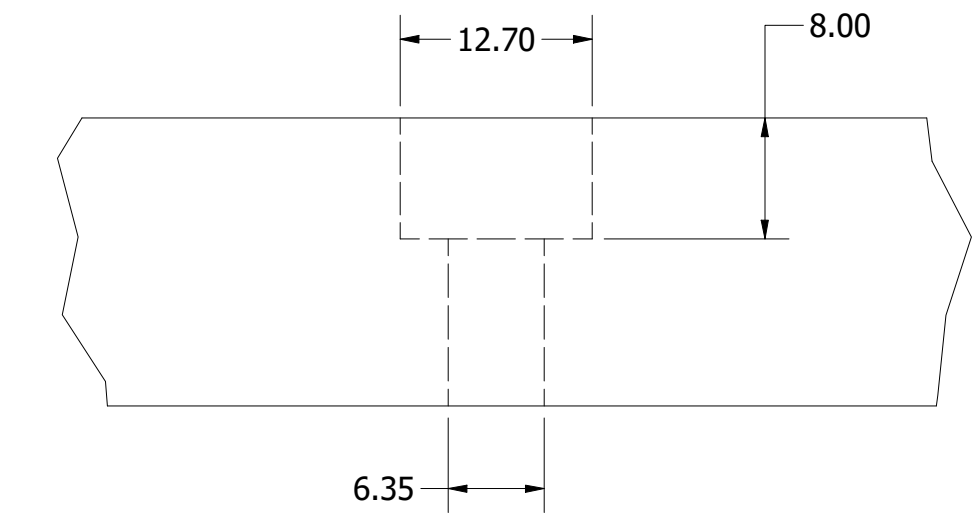
BACK OF MACHINE



DESIGNED	edward	6/15/2021	
DRAWN	edward	6/9/2021	
TITLE			
S4 XL MDF LAYOUT			
SIZE	DWG NO		REV
D	S4 XL MDF LAYOUT		
SCALE	.5	COPYRIGHT ALL RIGHTS RESERVED	SHEET 5 OF 6

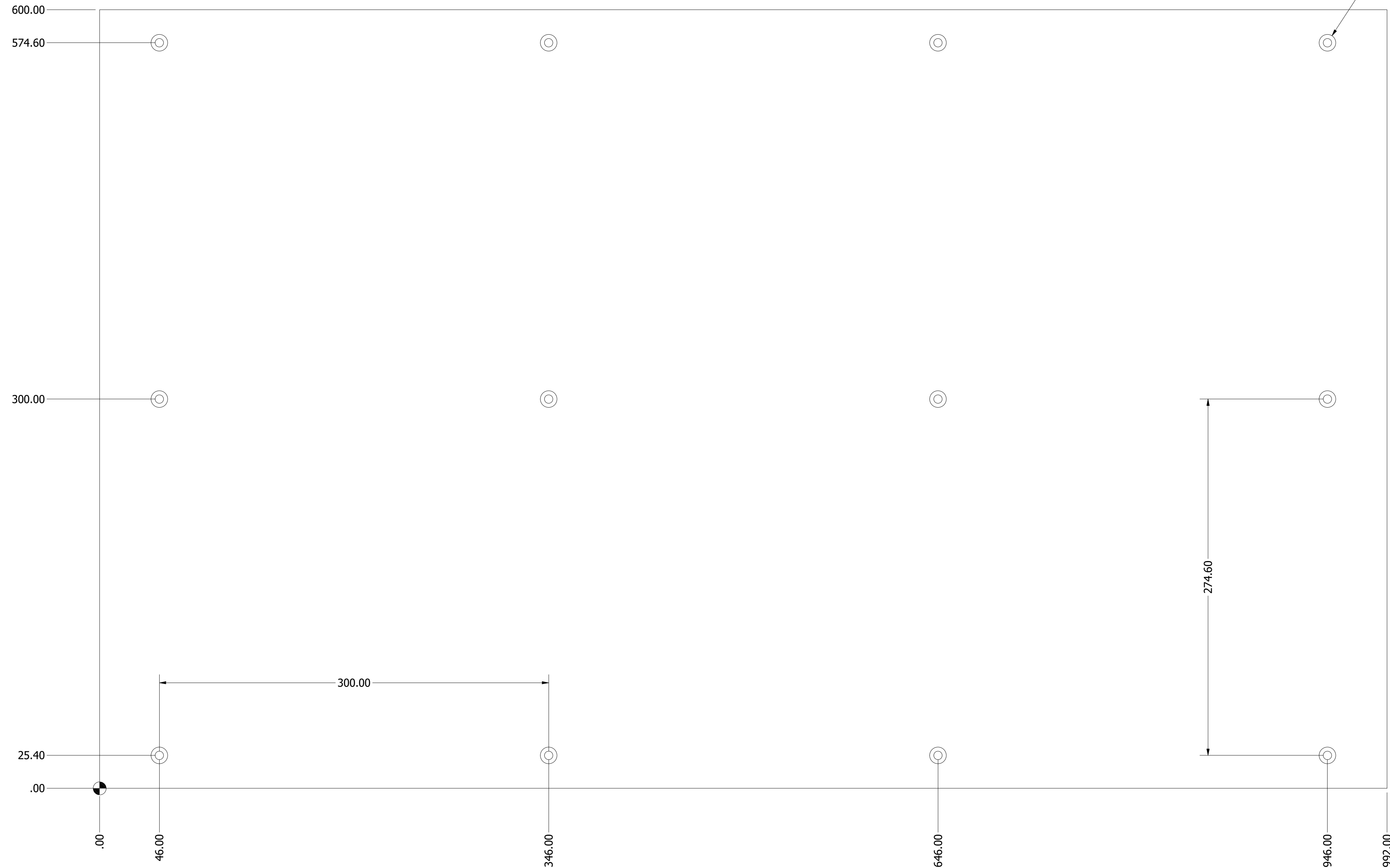
Notes:

1. All dimensions are millimeter unless otherwise noted.
2. 19mm material thickness recommended.

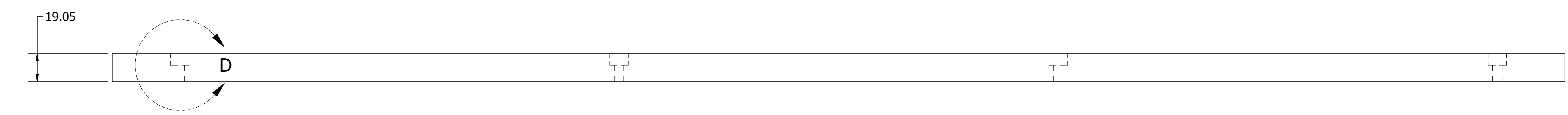


DETAIL HOLE FEATURES

BACK OF MACHINE



FRONT OF MACHINE



DESIGNED	edward	6/15/2021	
DRAWN	edward	6/9/2021	
TITLE			
S4 XL MDF LAYOUT			
SIZE	DWG NO		REV
D	S4 XL MDF LAYOUT		
SCALE	.5	COPYRIGHT ALL RIGHTS RESERVED	SHEET 6 OF 6